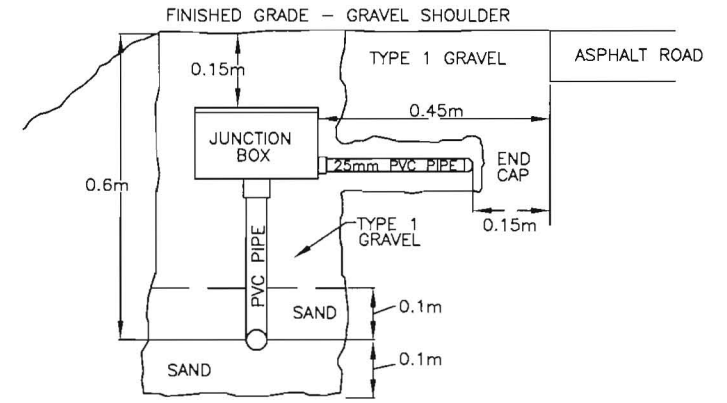
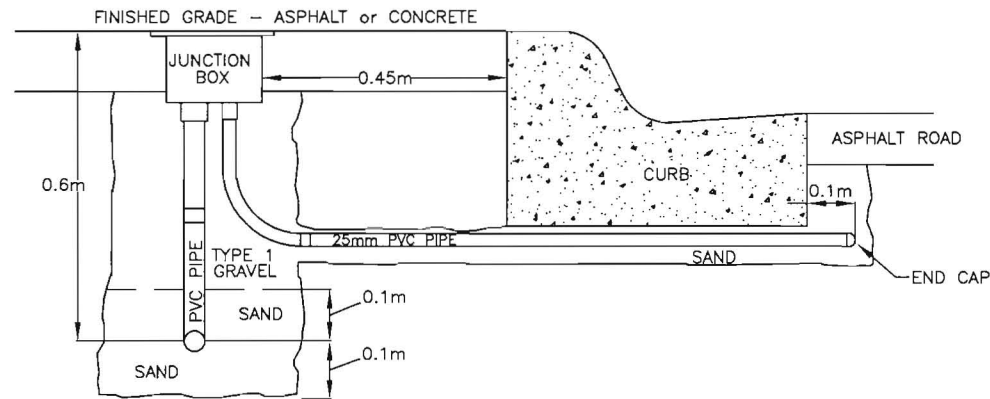


TYPE A  
JUNCTION BOX CROSS SECTION - WITH CURB



TYPE B  
JUNCTION BOX CROSS SECTION - NO CURB



TYPE C  
JUNCTION BOX CROSS SECTION - SURFACE MOUNT

NOTES:

1. FOR TYPE A AND B: IPEX BRAND JB884 OR JB887 AS SPECIFIED ON DESIGN PLANS OR APPROVED EQUIVALENT.
2. FOR TYPE C: IPEX BRAND H884 AS SPECIFIED ON DESIGN PLANS OR APPROVED EQUIVALENT.
3. ALL PVC CONDUIT MUST BE SCHEDULE 40 TO CSA C22.2 No. 211.2.
4. REFER TO STANDARD DRAWING S-2011-094 FOR TRENCH DETAILS.

*[Signature]*  
Manager Traffic Engineering Services

*[Signature]*  
Director Highway Engineering Services

*[Signature]*  
Executive Director Highway Engineering and Construction

No.	REVISION

Scale : N.T.S.  
 Drawn by : P.HILL/L.MACLEAN  
 Checked by : P.HILL  
 Date of Plan : MAY2011  
 File No. : S-2011-095